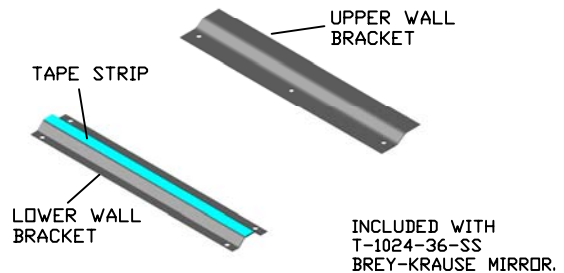
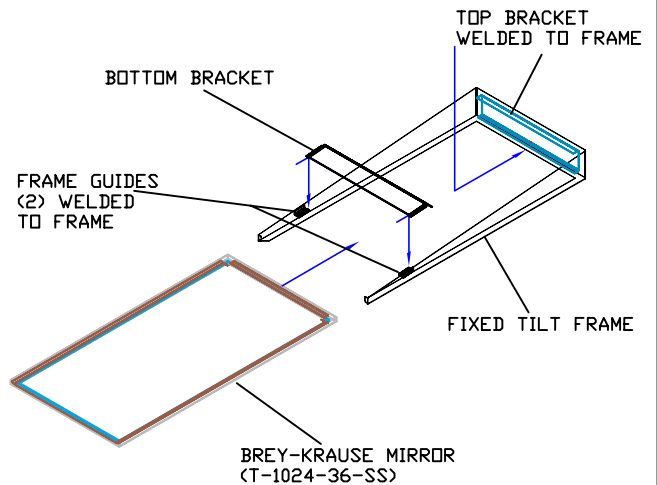
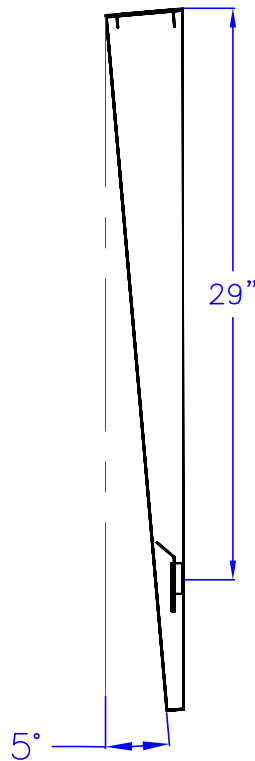
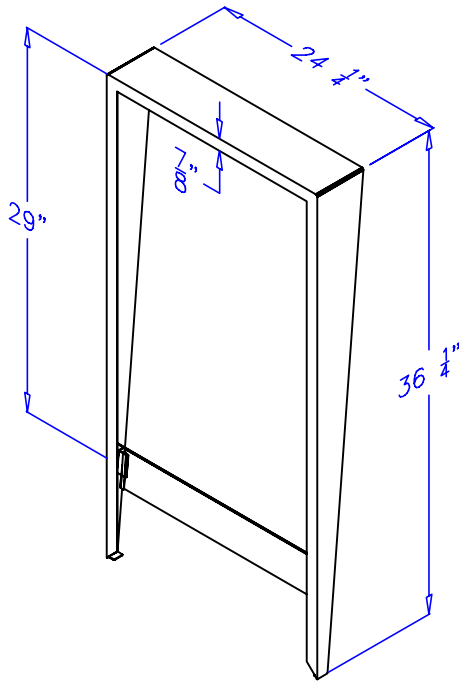




# Technical Data

## T-1124-36-SS

24" WIDTH X 36" HEIGHT FIXED TILT MIRROR FRAME



### Construction:

FIXED TILT FRAME: 18 GAUGE TYPE 304 STAINLESS STEEL WITH TIGHTLY MITERED TOP CORNERS. FORMED ONE PIECE CONSTRUCTION.  
 TOP BRACKET: 18 GAUGE TYPE 304 STAINLESS STEEL WELDED TO FRAME.  
 FRAME GUIDES: 18 GAUGE TYPE 304 STAINLESS STEEL WELDED TO FRAME.  
 BOTTOM BRACKET: 18 GAUGE TYPE 304 STAINLESS STEEL.  
 FINISH: ALL EXPOSED SURFACES ARE SATIN #4.

### Installation: \*\* REQUIRES A BREY-KRAUSE MIRROR (T-1024-36-SS) FOR USE AND INSTALLATION.

- SNAP BREY-KRAUSE MIRROR UNDER FRAME GUIDES & TOP BRACKET
- SLIDE BOTTOM BRACKET INTO FRAME GUIDES
- MOUNT UPPER WALL BRACKET LEVEL AT DESIRED HEIGHT.
- MOUNT LOWER WALL BRACKET @ 29" FROM THE TOP OF MIRROR.
- PEEL DOUBLE SIDED TAPE LINER OFF LOWER WALL BRACKET
- PLACE UPPER PORTION OF MIRROR ABOVE UPPER WALL BRACKET AGAINST WALL.
- CAREFULLY SLIDE TILT FRAME MIRROR DOWN TO FULLY ENGAGE MOUNTING HEM WITH UPPER WALL BRACKET.
- CAREFULLY PUSH LOWER PORTION OF MIRROR TOWARD WALL TO ATTACH TO INDUSTRIAL ADHESIVE ON LOWER WALL BRACKET.

### Guide Specification:

ADA 24" WIDTH X 36" HEIGHT FIXED TILT MIRROR FRAME.  
 REQUIRES A BREY-KRAUSE T-1024-36-SS MIRROR FOR USE AND INSTALLATION.  
 TYPE 304 STAINLESS STEEL SATIN.  
 EXPOSED SURFACES ARE SATIN #4 FINISH.